



www.icecompanies.com



使用说明书
Operator & Parts Manual

超宁静吸尘器
Dry Vacuum Cleaner



ID18

The
Peoples
COMPANY

2030403
REV.03(05-2013)

INTERNATIONAL CLEANING EQUIPMENT

TABLE OF CONTENTS

SAFETY PRECAUTION(In Chinese)	2
MACHINE OPERATION & STORAGE(In Chinese)	2
MACHINE COMPONENTS	3
PARTS LIST	4-7
SAFETY PRECAUTION	8
MACHINE OPERATON & STORAGE	9
SPECIFICATIONS	10
WIRING DIAGRAM	11
WEAR&TEAR PARTS	12

安全预防

本机必须接地!

- 1) 当机器发生故障时，有效的接地措施可以保障人身安全，避免电击，任何情况下都不应去除插头上之接地插脚。
- 2) 本机仅作商业用途，仅限于室内使用。敬请使用本机推荐的附件。
- 3) 本机操作者应仔细阅读、理解、遵照以下安全预防措施操作本机。

一．以下情况下不得操作本机：

- | | |
|---------------------|--------------------|
| 1) 未经培训或取得相应的资格； | 2) 未认真阅读并理解本机操作说明； |
| 3) 在易燃易爆场所； | 4) 插头或电源线存在损伤； |
| 5) 机器存在故障隐患而不适宜操作时； | 6) 户外作业时； |
| 7) 在雨水中； | 8) 无尘隔、袋等过滤装置； |
| 9) 使用延长电源线； | |

二．操作本机前：

- 1) 应确保所有安全装置功能正常。

三．使用时：

- | | |
|------------------------------|--------------------|
| 1) 勿辗压电源线； | 2) 不要用拖拉电线的方式移动本机； |
| 3) 勿将电源线置于物件锋利的边、角处； | 4) 切勿用拖拉电线的方式拔取插头； |
| 5) 双手潮湿时，勿拔、取插头； | 6) 勿将电源线置于发热的物件表面； |
| 7) 勿吸取燃烧或冒烟的物体如：烟头、火柴或炽热的灰烬； | |
| 8) 立即向主管反映本机之任何不正常状况； | |


四．离开本机或维修前必须：

- | | |
|----------|------------|
| 1) 关掉本机； | 2) 拔除电源插头； |
|----------|------------|


五．维修本机时：

- | | |
|--------------|-------------|
| 1) 必须拔除电源插头； | 2) 应使用原厂配件； |
|--------------|-------------|

操作说明

 使用或维护本机前，请仔细阅读本说明书。

- | | |
|---------------------|-----------------|
| 1) 取下机头，检查尘袋是否安放正确； | 2) 放上机头，确保密封严密； |
|---------------------|-----------------|

 确认本机未与电源联接

- | | |
|-------------------------------|----------------------------|
| 3) 将喉管与桶身相连； | 4) 选择需要的附件与喉管另一端连接； |
| 5) 将电源线插头插入带接地的电源插座内； | |
| 6) 将开关置于“ON”位置，启动本机操作； | 7) 定期检查尘袋，如已装满约 3/4 请更换尘袋； |
| 8) 工作时如需移动本机，可以拖拉吸尘器软管直接移动本机； | |
| 9) 停机时，只要置于“OFF”位即可； | |

维护与保养

请按以下方式保养本机，以使本机保持良好的性能进行任何维修、保养前请务必确认本机已脱离电源。

- | | |
|---------------------|-----------------------------|
| 1) 每次使用完毕，立即拔除电源插头； | 2) 检查电源线有无损伤； |
| 3) 每月一次用防水润滑油润滑脚轮； | 4) 检查机器螺栓、螺丝有否遗失，必要时更换； |
| 5) 检查及清洁滤网； | 6) 取下吸力软管检查有无阻塞或破损； |
| 7) 用中性清洁剂将本机擦拭干净； | 8) 尘袋、尘隔清洗干净之后，再次使用前必须彻底干燥； |

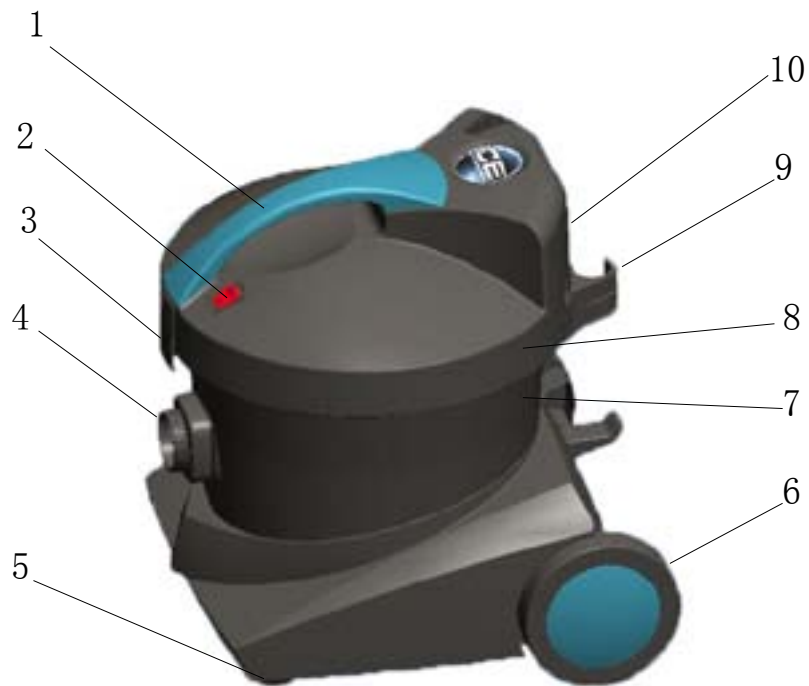
如电源线破损，为避免危险，必须联系当地经销商售后服务部进行更换。

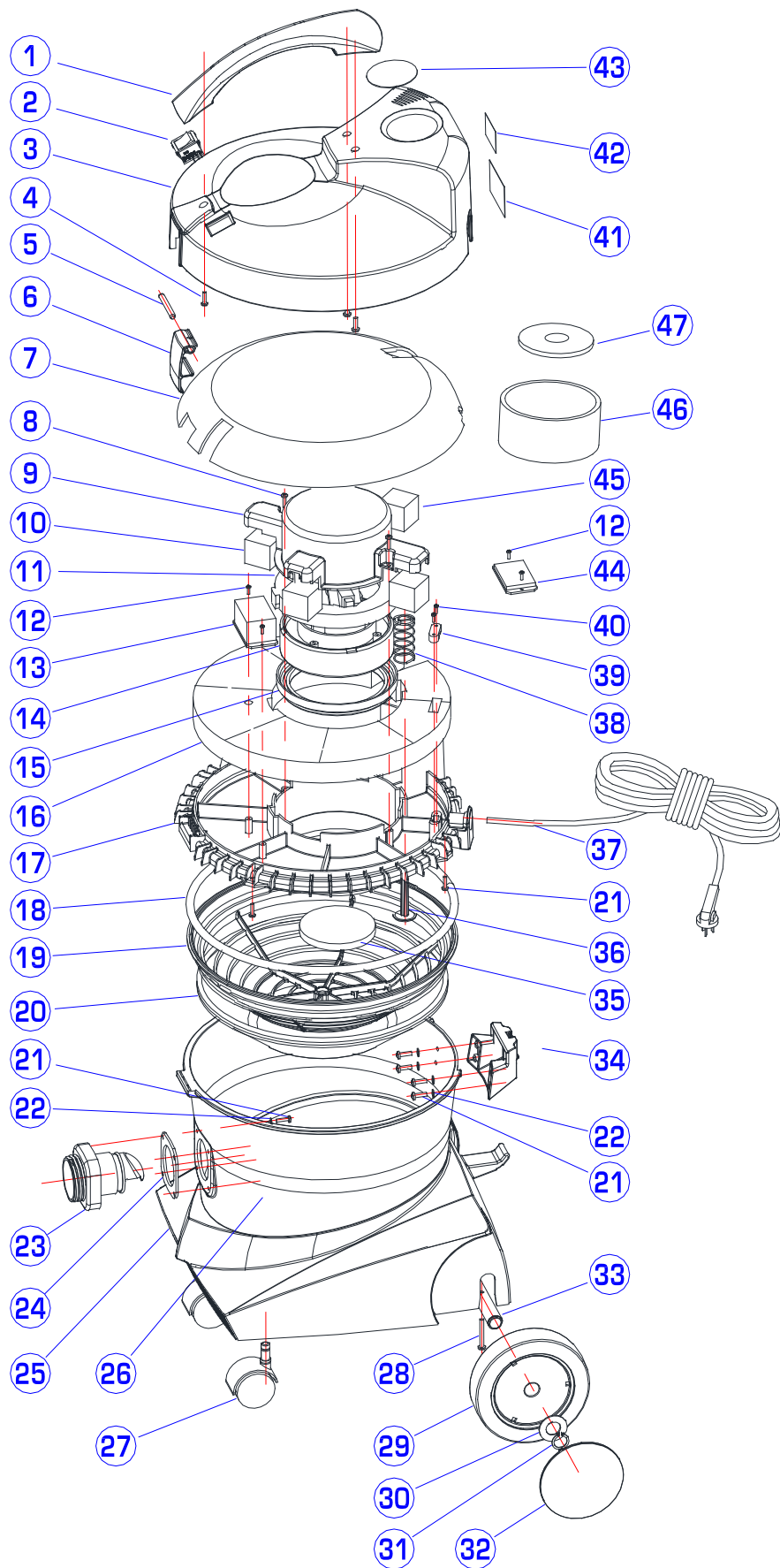
储存

- 1) 拔除电源插头；
- 2) 将综合耙放于机器后部卡环内；
- 3) 将机器直立存放在干燥的场所。

MACHINE COMPONENTS

- | | |
|------------------------------|------------------|
| 1. Carrying handle | 2. On/off switch |
| 3. Snap Handle | 4. Hose intake |
| 5. Caster | 6. Wheel |
| 7. Tank | 8. Motor cover |
| 9. Holder , Combination tool | 10. Main cord |

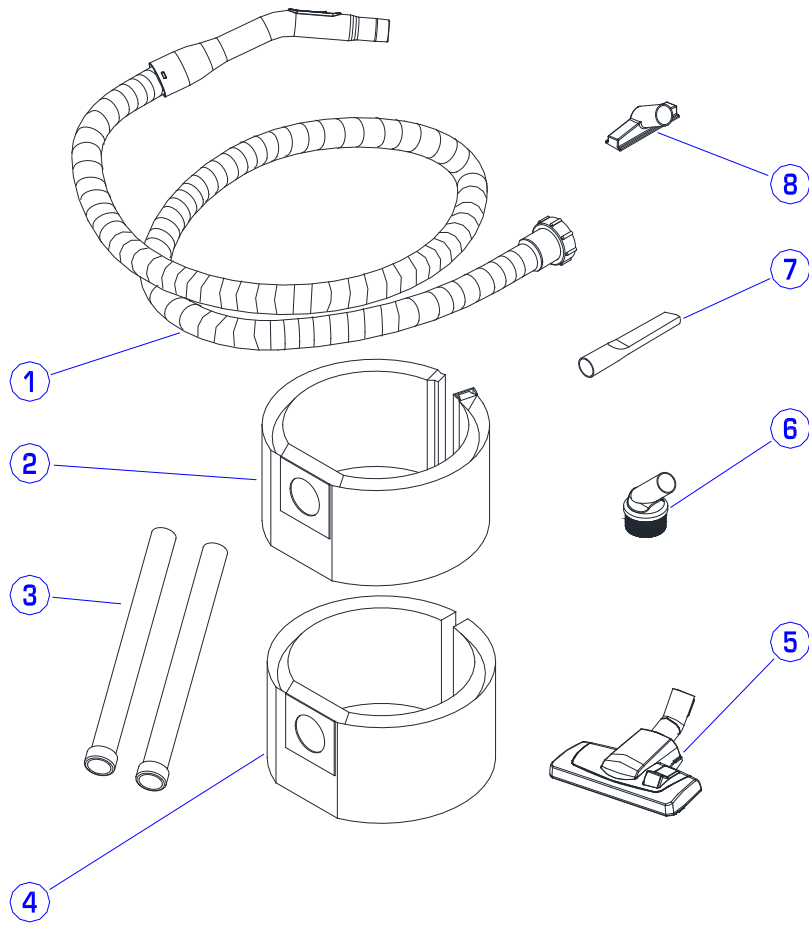




PARTS LIST

DIA NO	PART NUMBER	DESCRIPTION	NO REQ'D
1	2010111	Handle 手柄	1
2	2110135	Switch 开关	1
3	2010102	Housing, Vac Head 机头壳	1
4	1311316	Screw, Ph, ST4.8 X 16 十字平尾自攻丝 ST4.8X16	3
5	2010119	Pin 销轴	1
6	2010117	Catch 搭扣	1
7	2010122	Screen, Housing, Vac Head 上消音棉	1
8	1311216	Screw, Ph, ST4.2X16 十字平尾自攻丝, ST4.2X16	2
9	2010104	Mounting Cover, Motor 电机罩	1
10	2010130	Screen, Mounting Cover 消音棉	2
11	2010105	Top Gasket, Motor 减震垫(上)	1
12	1310016	Screw, Ph, ST2.9X16 十字盘头自攻丝 ST2.9X16	4
13	2010126	EMI EMI 元件	1
14	2010115	Vac Motor, 220V 吸力泵, 220V	1
15	2010103	Bottom Gasket, Motor 减震垫	1
16	2010108	Screen, Mounting Base 下消音棉	1
17	2010101	Mounting Base, Motor 电机底座	1
18	2010106	Sealer 密封圈	1
19	2020101	Filter Frame 尘隔架	1
20	2020102	Filter 尘隔	1
21	1321220	Screw, Ph, ST4.2 X 19 十字平尾自攻丝 ST4.2 X 19	12
22	1421409	Washer, Plain, $\phi 4.3 \times \phi 9 \times 0.8$ 不锈钢平垫片 $\phi 4.3 \times \phi 9 \times 0.8$	4
23	2020203	Intake 吸管座	1
24	2020202	Gasket, Intake 吸管座密封垫	1
25	2020205	Mounting, Base 底座	1
26	2020201	Tank 桶身	1
27	2020210	Caster, $\phi 50$ 脚轮, $\phi 50$	2
28	1311340	Screw, Ph, ST4.8 X 38 十字平尾自攻丝 ST4.8 X 38	2
29	2020209	Wheel 后大轮	2
30	2020211	Washer, Plain, $\phi 19.3 \times \phi 37 \times 2$ 不锈钢平垫片 $\phi 19.3 \times \phi 37 \times 2$	2
31	1436019	Circlip, $\phi 19$ 轴用挡圈, $\phi 19$	2
32	2020208	Cover, Wheel 轮盖	2
33	2020207	Axle 后轮轴	1
34	2020204	Holder, Combination Tool 固定架	1
35	2010107	Filter, Motor 防尘海棉	1
36	2010113	Valve, By-Pass 安全阀芯	1
37	2010124	Power Cord 电源线	1
38	2010116	Spring 弹簧	1
39	2010114	Clamp Block 压线块	1
40	1311016	Screw, ST2.9X20 工字盘头自攻丝 ST2.9X20	2
41	2030405	Serial Decal 贴纸	1
42	2030409	Warning Decal 警告贴纸	1
43	2010121	Logo 标牌	1
44	2010137	Speed PCB 速度调节板	1
45	2010109	Screen, Mounting Cover 消音棉	2
46	2010131	Silencer 消音棉	1
47	2010132	Silencer, Top 消音棉(上)	1

ACCESSORIES



PARTS LIST

DIA NO	PART NUMBER	DESCRIPTION	NO REQ'D
1	2030300	Hose Assy 吸管总成	1
2	2030402	Paper Bag(Optional) 纸尘袋 (可选件)	1
3	2030107	Tube,Sst 吸力长管	2
4	2030401	Vacuum Bag,Cloth 布尘袋	1
5	2030220	Combination Tool 综合耙	1
6	2030104	Dusting Tool 尘扫	1
7	2030106	Crevice Tool 长耙	1
8	2030101	Upholstery Tool 家俱耙	1

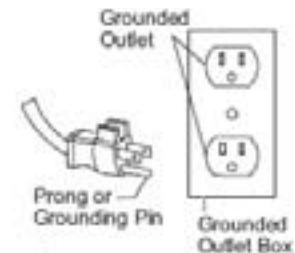
SAFETY PRECAUTION



Carefully read and understand this manual before operating this machine.
This machine must be grounded!

This machine shall be grounded while in use to protect the operator from electric shock. Grounding provides a path of least resistance for electric current. This machine is equipped with a cord having an equipment-grounding conductor and grounding plug. The plug must be plugged into an appropriate outlet that is properly installed and grounded in accordance with all local codes and ordinances. Do not remove the ground pin under any circumstances.

This machine is for use on a nominal 220-volt circuit and has a grounding plug that resembles the plug illustrated in Figure. Make sure that the machine is connected to an outlet having the same configuration as the plug. No adapter should be used with this machine.



This machine is intended for commercial use. It is constructed for use in an indoor environment and is not intended for any other use. Use only recommended accessories.

1. Do not operate machine:

- Unless trained and authorized.
- In flammable or explosive areas.
- With a damaged cord or plug
- If not in proper operating condition.
- Unless you have read and understand the operators manual.
- With the use of extension cords.
- In outdoor areas and standing water.

2. Before operating machine:

- Make sure all safety devices are in place and operating properly.

3. When using machine:

- Do not run machine over cord.
- Do not pull cord around sharp edges or corners.
- Do not handle plug with wet hands.
- Report machine damage or faulty operation immediately.
- Do not pull machine by cord or plug.
- Do not unplug by pulling on the cord.
- Do not stretch cord.
- Keep cord away from heated surfaces.

4. Before leaving or servicing machine:

- Turn off machine.
- Unplug cord from outlet.

5. When servicing machine:

- Unplug cord from outlet.
- Use manufacturer supplied or approved replacement parts.



To avoid electrical shock, please replace the power cord immediately if any damage is being detected. The replacement must be performed only by an authorized person or by our customer service center.

Operation of the Canister Vacuum

 **Read operators manual thoroughly prior to operating or servicing this machine.**

DRY PICKUP.

- 1) Remove the vac head of machine and confirm that there is either a cloth or paper filter in place.
- 2) Replace & the latch vac head.

 **Be sure the machine is not plugged into an outlet.**


- 3) Connect vacuum hose to inlet on the machine body.
- 4) Choose appropriate tool, and attach it to the free end of the hose.
- 5) Plug power cord into grounded outlet.

 **Do not use an extension cord in conjunction with the standard power cord.**

- 6) To start the machine push on the red rocker switch turn on.
- 7) Check the filter bag periodically to see if it is full. For optimal performance, replace the bag when it is 3/4 full.
- 8) This machine is designed to be pulled around by the vacuum hose, so pull the hose, and the vacuum will follow.
- 9) To stop the machine at any time, simply turn off the rocker switch

MAINTENANCE

To keep the machine performing well for many years, please follow the following maintenance procedures.

 **Always confirm that the machine is unplugged prior to performing any maintenance or repairs.**

- 1) Unplug machine as soon as you are done using it.
- 2) Check power cord for any damage. If any damage is detected, replace the cord immediately.
- 3) Lubricate casters with a water resistant lubricant every month
- 4) Check machine for loose or missing nuts and bolts, and replace as necessary.
- 5) Check the filter, and clean it after each use
- 6) Remove the vacuum hose and check it for any holes and clogs
- 7) Clean the outside of the machine with a mild cleaner

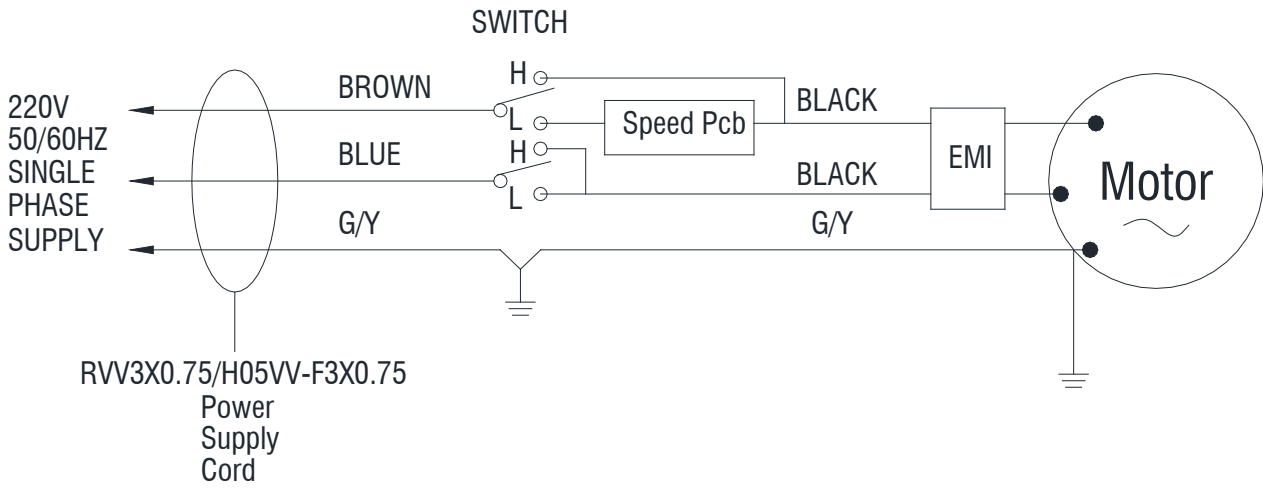
STORAGE

- 1) Unplug machine from power source and wrap cord on handle.
- 2) Attach the combination tool to the holder .
- 3) Store in upright position in a dry area.

TECHNICAL DATA	
Model	ID18(H/L)
Voltage	220V-240V
Power	1000W
Current	4.5 A
Frequency	50-60Hz
Capacitor(Tank)	20L
Capacitor(Dust Bag)	10L
Vacuum	2160mmH ₂ O(85") / 143mmH ₂ O(85")
Flow rate	3400L/Min(120CFM) / 2800L/Min(120CFM)
Sound pressure level at workstation	59 dB(A) / 45 dB(A)
Weight	10kg
Length of Power cord	10m
Dimensions	44cm(L)X43.4cm(W)X46.3cm(H)

Wiring Diagram

ID18



WEAR & TEAR PARTS

DIA NO	PART NUMBER	DESCRIPTION	NO REQ'D
1	2020210	Caster, ϕ 50 脚轮, ϕ 50	2
2	2020209	Wheel 后大轮	2
3	2030101	Upholstery Tool 家俱耙	1
4	2030401	VACUUM BAG, CLOTH 布尘袋	1
5	2030220	Combination Tool 综合耙	1
6	2030104	Dusting Tool 尘扫	1
7	2030106	Crevice Tool 长耙	1

合格证

品名 (ITEM): _____

按本产品执行的标准规定检验合格

型号 (MODEL): _____

检查员 (QC): _____

机身编号 (SN): _____

检验日期:

广东国邦清洁设备有限公司

电话 (TEL): (769) 8186 9000 传真 (FAX): (769) 8186 3000