



www.icecompanies.com

Operator & Parts Manual

Professional Backpack Vacuum Cleaner



ID8C

The Peoples
COMPANY

2730305EU
REV.01(01-2014)

INTERNATIONAL CLEANING EQUIPMENT

TABLE OF CONTENTS

SAFETY PRECAUTION. 2
MACHINE OPERATON & STORAGE. 3
MACHINE COMPONENTS 4
PARTS LIST 5-9
SPECIFICATIONS 10
WIRING DIAGRAM 11
WEAR&TEAR PARTS 12

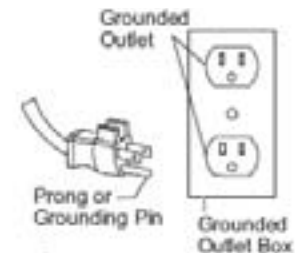
SAFETY PRECAUTION



Carefully read and understand this manual before operating this machine.
This machine must be grounded!

This machine shall be grounded while in use to protect the operator from electric shock. Grounding provides a path of least resistance for electric current. This machine is equipped with a cord having an equipment-grounding conductor and grounding plug. The plug must be plugged into an appropriate outlet that is properly installed and grounded in accordance with all local codes and ordinances. Do not remove the ground pin under any circumstances.

This machine is for use on a nominal 220-volt circuit and has a grounding plug that resembles the plug illustrated in Figure. Make sure that the machine is connected to an outlet having the same configuration as the plug. No adapter should be used with this machine.



This machine is intended for commercial use. It is constructed for use in an indoor environment and is not intended for any other use. Use only recommended accessories.

1. Do not operate machine:

- Unless trained and authorized.
- In flammable or explosive areas.
- With a damaged cord or plug
- If not in proper operating condition.
- Unless you have read and understand the operators manual.
- With the use of extension cords.
- In outdoor areas and standing water.

2. Before operating machine:

- Make sure all safety devices are in place and operating properly.

3. When using machine:

- Do not run machine over cord.
- Do not pull cord around sharp edges or corners.
- Do not handle plug with wet hands.
- Report machine damage or faulty operation immediately.
- Do not pull machine by cord or plug.
- Do not unplug by pulling on the cord.
- Do not stretch cord.
- Keep cord away from heated surfaces.

4. Before leaving or servicing machine:

- Turn off machine.
- Unplug cord from outlet.

5. When servicing machine:

- Unplug cord from outlet.
- Use manufacturer supplied or approved replacement parts.



To avoid electrical shock, please replace the power cord immediately if any damage is being detected. The replacement must be performed only by an authorized person or by our customer service center.

Operation of the Backpack Vacuum

 **Read operators manual thoroughly prior to operating or servicing this machine.**

DRY PICKUP.

- 1) Remove the cover of machine and confirm that there are a cloth of paper filter and a cloth bag or paper bag in place.
- 2) Replace & the latch cover.

 **Be sure the machine is not plugged into an outlet.**


- 3) Connect vacuum hose to inlet on the machine body.
- 4) Choose appropriate tool, and attach it to the free end of the hose.
- 5) Plug power cord into grounded outlet.

 **Do not use an extension cord in conjunction with the standard power cord.**

- 6) Place the machine on your back so that the weight of the unit rests on your hips then fasten the waist belt, adjust shoulder strap until secure and comfortable, you may clip the switch box to the waist belt. To start the machine, turn on the red rocker switch.
- 7) Check the filter bag periodically to see if it is full. For optimal performance, replace the bag when it is 3/4 full.
- 9) To stop the machine at any time, simply turn off the rocker switch.

MAINTENANCE

To keep the machine performing well for many years, please follow the following maintenance procedures.

 **Always confirm that the machine is unplugged prior to performing any maintenance or repairs.**

- 1) Unplug machine as soon as you are done using it.
- 2) Check power cord for any damage. If any damage is detected, replace the cord immediately.
- 3) Check machine for loose or missing nuts and bolts, and replace as necessary.
- 4) Check the filter, and clean it after each use
- 5) Remove the vacuum hose and check it for any holes and clogs
- 6) Clean the outside of the machine with a mild cleaner

STORAGE

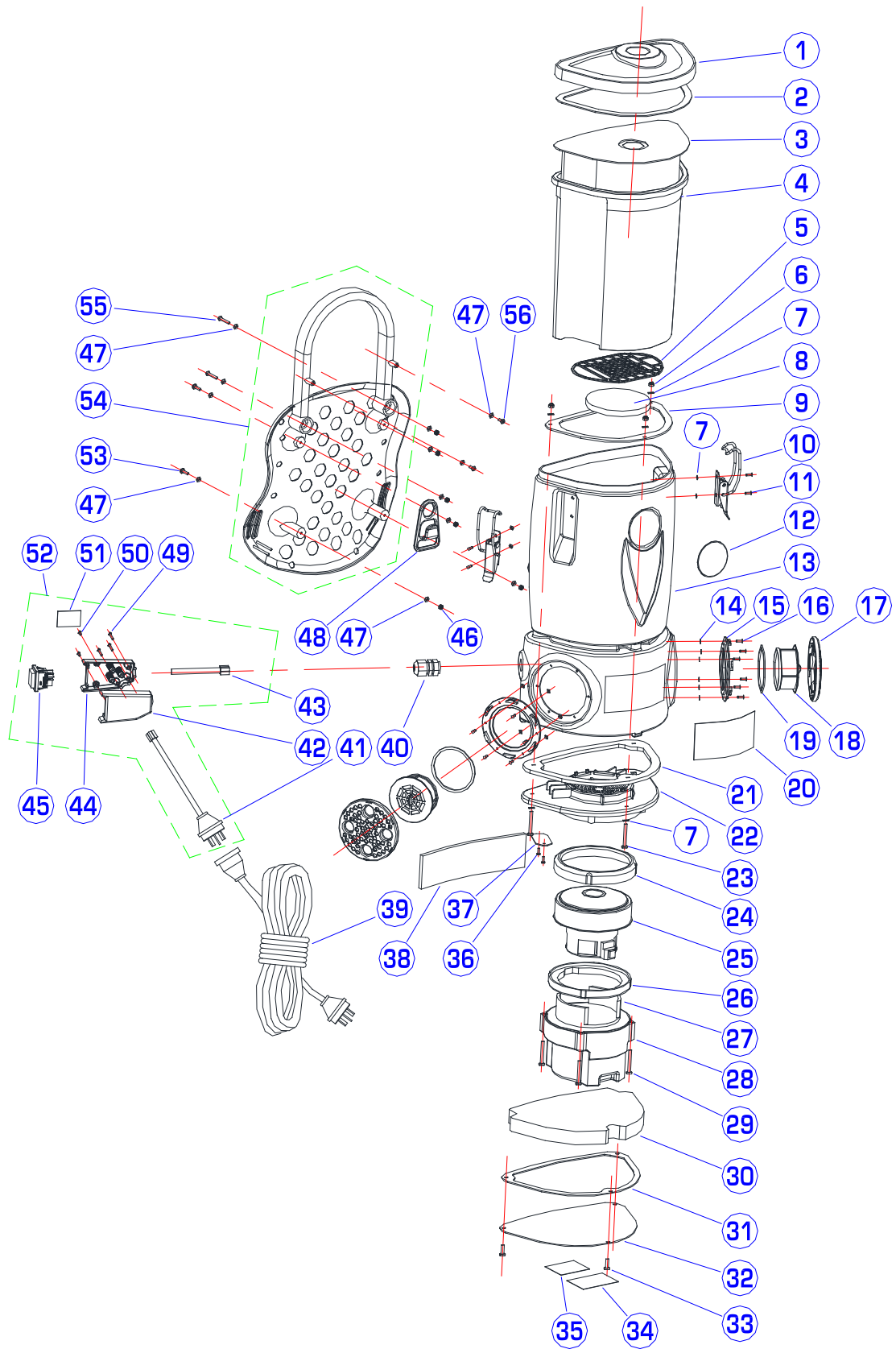
- 1) Unplug machine from power source .
- 2) Store in upright position in a dry area.

MACHINE COMPONENTS

- 1.Cover
- 3.Power cord
- 5.Exhaust filter
- 7.Tank

- 2.Latch
- 4.Door,Exhaust filter
- 6.On/off switch
- 8.Back rest assy





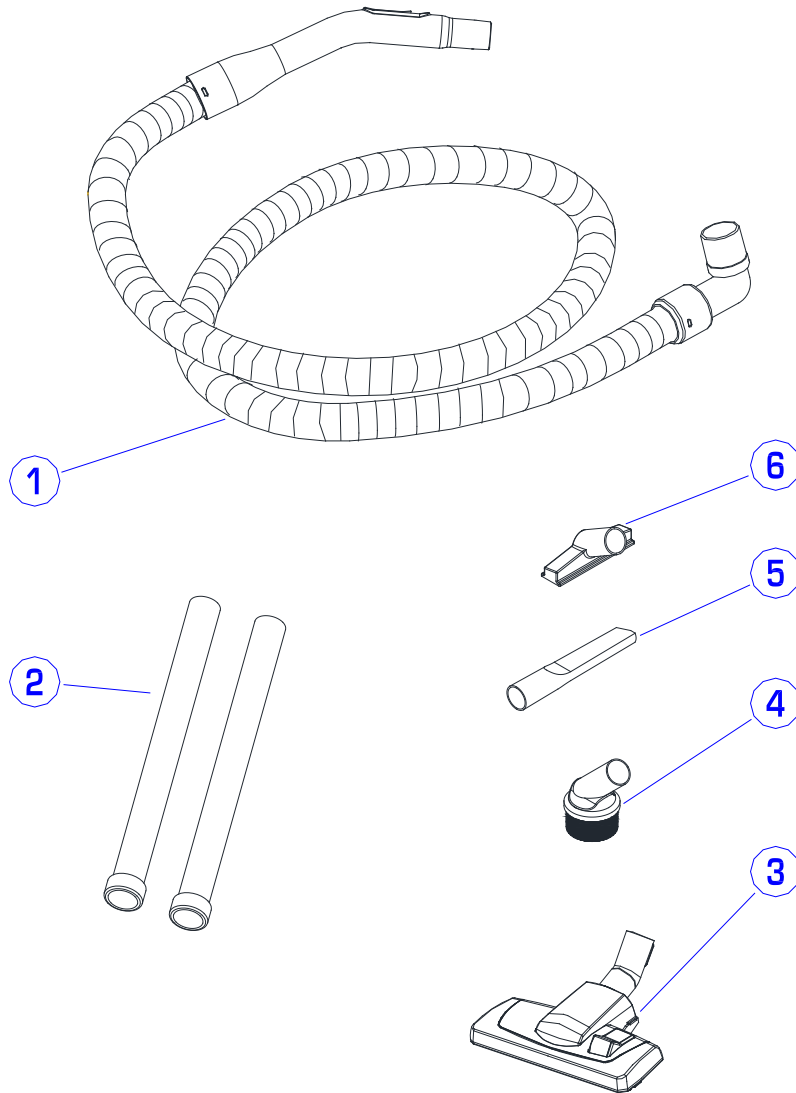
PARTS LIST

DIA NO	PART NUMBER	DESCRIPTION	NO REQ'D
1	2710102	Cover	1
2	2710118	Gasket,Cover	1
3	2710302	Cloth Bag	10/PK
	2710303	Paper Bag(Optional)	10/PK
4	2710301	Cloth Filter	1
5	2710113	Filter Frame	1
6	1123507	Nut, Lock, SST, M5	4
7	1421510	Washer,Plain, ϕ 5.3X ϕ 10X1	10
8	2710124	Filter	1
9	2710121	Mounting Cover,Motor	1
10	2120205	Catch	2
11	1662512	Rivet, ϕ 4.8X12	4
12	2010121	Logo	1
13	2710101	Dust Bag Housing	1
14	1421307	Washer,Plain, ϕ 3X ϕ 7X0.5	12
15	2710119	Housing,Exhaust Filter	2
16	1662310	Rivet, ϕ 3.2X12	12
17	2710120	Exhaust Filter Door	2
18	2710111	Exhaust Filter(HEPA)	2
19	2710110	Gasket,Exhaust Filter	2
20	2710115	Decal	1
21	2710114	Gasket,Motor Support	1
22	2710103	Motor Support	1
23	1221550	Screw,RHM,M5X50,SST	3
24	2710104	Bottom Gasket,Motor	1
25	2710108	Vac Motor,220V	1
26	2710105	Top Gasket,Motor	1
27	2710132	Silencer,Cover	1
28	2710106	Cover,Motor	1
29	1311345	Screw, Ph,ST4.8 X 45	4
30	2710131	Triangular Lower Foam Pad	1
31	2710112	Gasket,Bottom Plate	1
32	2710109	Bottom Plate	1
33	1211512	Screw,RHM,M5X12,SST	3
34	2030414	Warning Decal	1
35	2710309	Serial Decal	1
36	1310016	Screw,Ph,ST2.9X16	2
37	2010126	EMI	1

PARTS LIST

DIA NO	PART NUMBER	DESCRIPTION	NO REQ'D
38	2710133	Silencer,Dust Bag Housing	1
39	2710128EU	Power Cord	1
40	2320403	Strain Relief	1
41	2710129	Cord	1
42	2710201	Front Cover,Switch	1
43	2710130	Cord	1
44	2710202	Back Cover,Switch	1
45	2110108	Switch	1
46	1123406	Nut, Lock, SST, M4	6
47	1411409	Washer,Plain, ϕ 4X ϕ 9X0.8	14
48	2710127	Cord Wrap	1
49	1321125	Screw, Ph,ST3.5 X 25	3
50	1321110	Screw, Ph,ST3.5 X10	2
51	2710203	Velcro	1
52	2710200	Switch Assy	1
53	1221416	Screw,RHM,M4X16,SST	4
54	2710126	Back Rest Assy	1
55	1221425	Screw,RHM,M4X25,SST	2
56	1321213	Screw, Ph,ST4 X 13	2

ACCESSORIES



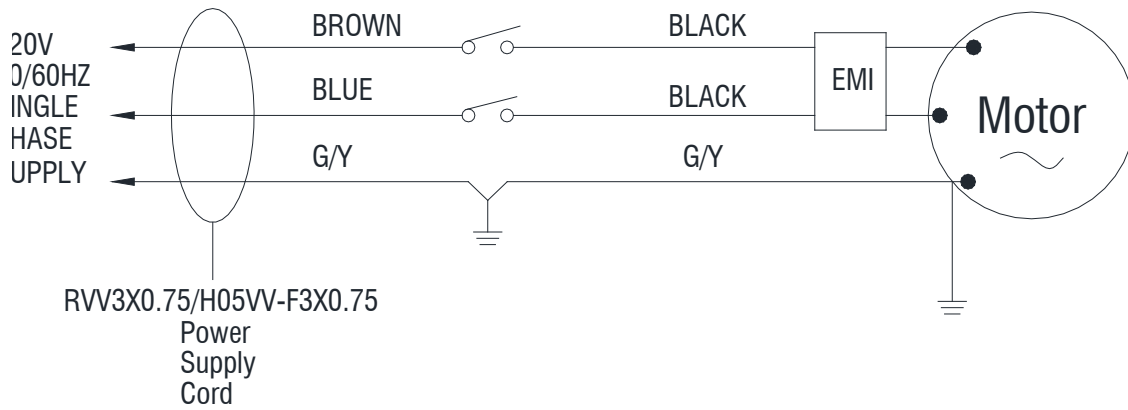
PARTS LIST

DIA NO	PART NUMBER	DESCRIPTION	NO REQ'D
1	2710300	Hose Assy	1
2	2030107	Tube,Sst	2
3	2030220	Combination Tool	1
4	2030104	Dusting Tool	1
5	2030106	Crevice Tool	1
6	2030101	Upholstery Tool	1

TECHNICAL DATA	
Model	ID8C
Voltage	220V-240V
Power	1000W
Current	4 A
Frequency	50-60Hz
Capacitor(Tank)	8L
Capacitor(Dust Bag)	6L
Vacuum	2300mmH ₂ O(90")
Flow rate	3240L/Min(114CFM)
Sound pressure level at workstation	59 dB(A)
Weight	5.2kg
Length of Power cord	15m
Hepa	H13
Dimensions	31.5cm(L)X25.6cm(W)X51.7cm(H)

Wiring Diagram

ID8C



WEAR & TEAR PARTS

DIA NO	PART NUMBER	DESCRIPTION	NO REQ'D
1	2710111	Exhaust Filter(HEPA)	2
2	2030101	Upholstery Tool	1
3	2710302	VACUUM BAG,CLOTH	1
4	2030220	Combination Tool	1
5	2030104	Dusting Tool	1
6	2030106	Crevice Tool	1