



www.icecompanies.com



使用说明书  
Operator & Parts Manual

吸水吸尘器  
Wet / Dry Vacuum Cleaner



IW35

The Peoples  
COMPANY

2130405  
REV.02(06-2012)

INTERNATIONAL CLEANING EQUIPMENT

---

## TABLE OF CONTENTS

SAFETY PRECAUTION(In Chinese) . . . . .	2
MACHINE OPERATION & STORAGE(In Chinese). . . . .	2-3
MACHINE COMPONENTS . . . . .	4
PARTS LIST . . . . .	5-8
SAFETY PRECAUTION. . . . .	9
MACHINE OPERATON & STORAGE. . . . .	10-11
SPECIFICATIONS . . . . .	12
WIRING DIAGRAM . . . . .	13
WEAR&TEAR PARTS . . . . .	14

## 安全预防



### 本机必须接地！

- 1) 当机器发生故障时，有效的接地措施可以保障人身安全，避免电击，任何情况下都不应去除插头上之接地插脚。
- 2) 本机仅作商业用途，仅限于室内使用。敬请使用本机推荐的附件。
- 3) 本机操作者应仔细阅读、理解、遵照以下安全预防措施操作本机。

#### 一．以下情况下不得操作本机：

- |                     |                    |
|---------------------|--------------------|
| 1) 未经培训或取得相应的资格；    | 2) 未认真阅读并理解本机操作说明； |
| 3) 在易燃易爆场所；         | 4) 插头或电源线存在损伤；     |
| 5) 机器存在故障隐患而不适宜操作时； | 6) 户外作业时；          |
| 7) 在雨水中；            | 8) 无尘隔、袋等过滤装置；     |
| 9) 使用延长电源线；         |                    |

#### 二．操作本机前：

- 1) 应确保所有安全装置功能正常。

#### 三．使用时：

- |                              |                    |
|------------------------------|--------------------|
| 1) 勿碾压电源线；                   | 2) 不要用拖拉电线的方式移动本机； |
| 3) 勿将电源线置于物件锋利的边、角处；         | 4) 切勿用拖拉电线的方式拔取插头； |
| 5) 双手潮湿时，勿拔、取插头；             | 6) 勿将电源线置于发热的物件表面； |
| 7) 勿吸取燃烧或冒烟的物体如：烟头、火柴或炽热的灰烬； |                    |
| 8) 立即向主管反映本机之任何不正常状况；        |                    |

#### 四．离开本机或维修前必须：

- |          |            |
|----------|------------|
| 1) 关掉本机； | 2) 拔除电源插头； |
|----------|------------|

#### 维修本机时：

- |              |             |
|--------------|-------------|
| 1) 必须拔除电源插头； | 2) 应使用原厂配件； |
|--------------|-------------|

#### 操作说明



使用或维护本机前，请仔细阅读本说明书。

### 吸尘：吸尘时，应确保桶内无污水，尘袋干燥洁净

请使用尘袋和尘隔收集灰尘，改善过滤效果，每次使用前应确保桶内无污水，尘隔或尘袋干燥、洁净。

使用时若发生吸力下降应清理机器。此时应关闭红色电源开关，拔下电源插头，松开锁扣，取下吸尘机机头部分，方可清理尘隔。为防止灰尘泄漏，不可拆卸吸尘机软管，不可将尘隔取出，此时轻轻拍打尘隔，待灰尘沉积于桶内后，方可将尘隔取出，再将桶清理干净，倒净尘袋内的灰尘。如尘隔污渍严重，可用刷子刷净表面附着的灰尘，（或者清洗干净，晒干后使用）再装好机头，锁紧搭扣，插上电源插头，按下红色电源开关，便可继续使用。

若吸尘机吸力仍然较低，请检查吸尘机软管是否有阻塞的现象。

### 吸水：吸水时必须使用浮球体及吸水耙

干湿两用吸尘吸水机在作吸水使用时，应确保桶内无灰尘。

使用时应取出尘袋、尘隔，将桶内清理干净，装上机头，锁紧搭扣，插上电源，取下吸管上吸尘用之吸尘耙，换上吸水用带橡胶水刮之专用吸水耙，按下红色开关便可。水满时，浮球会上浮并堵住浮球体阀门（即污水吸入口），此时，机器无法正常吸水，应关闭电源开关，拔下插头，取下机头，将桶内污水倒净。

## 维护与保养

请按以下方式保养本机，以使本机保持良好的性能进行任何维修、保养前请务必确认本机已脱离电源。

- 1) 每次使用完毕，立即拔除电源插头；
- 2) 检查电源线有无损伤；
- 3) 每月一次用防水润滑油润滑脚轮；
- 4) 检查机器螺栓、螺丝有否遗失，必要时更换；
- 5) 检查及清洁滤网；
- 6) 取下吸力软管检查有无阻塞或破损；
- 7) 用中性清洁剂将本机擦拭干净；
- 8) 尘袋、尘隔清洗干净之后，再次使用前必须彻底干燥；



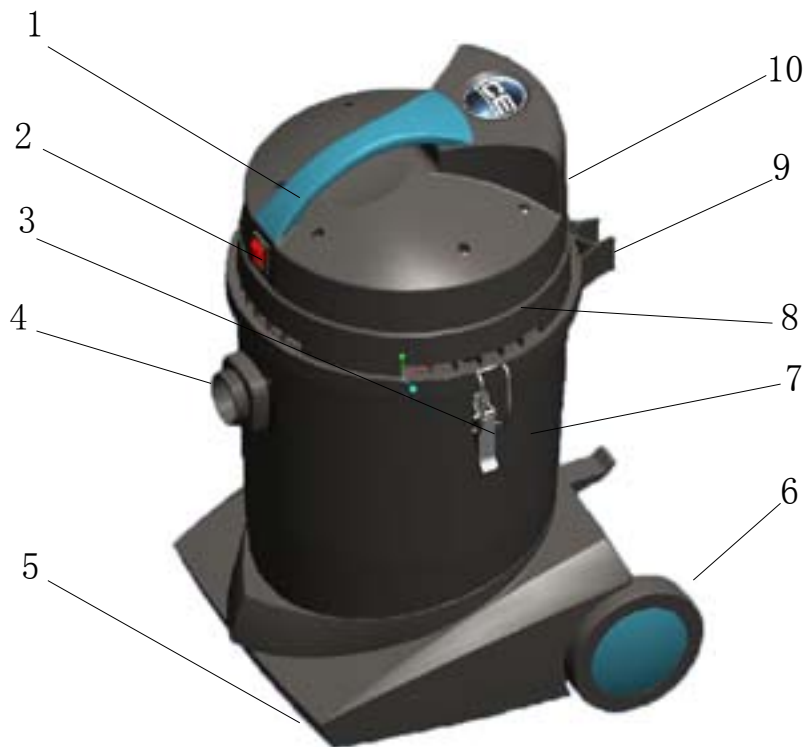
如电源线破损、为避免危险，必须联系当地经销商售后服务部进行更换。

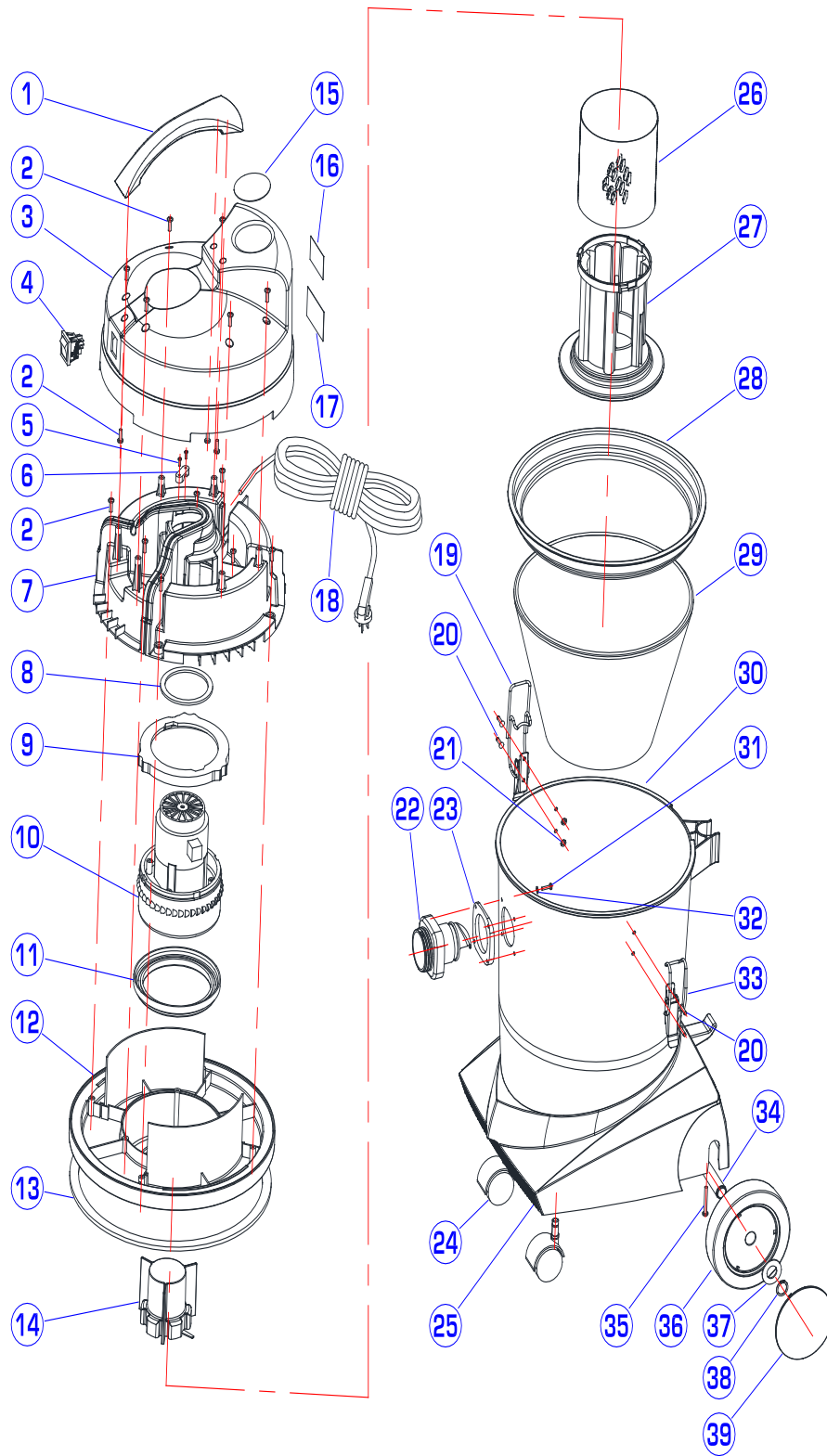
## 储存

- 1) 拔除电源插头；
- 2) 将综合耙放于机器后部卡环内；
- 3) 将机器直立存放在干燥的场所。

## MACHINE COMPONENTS

- |                              |                  |
|------------------------------|------------------|
| 1. Carrying handle           | 2. On/off switch |
| 3. Catch                     | 4. Hose intake   |
| 5. Caster                    | 6. Wheel         |
| 7. Tank                      | 8. Motor cover   |
| 9. Holder , Combination tool | 10. Main cord    |

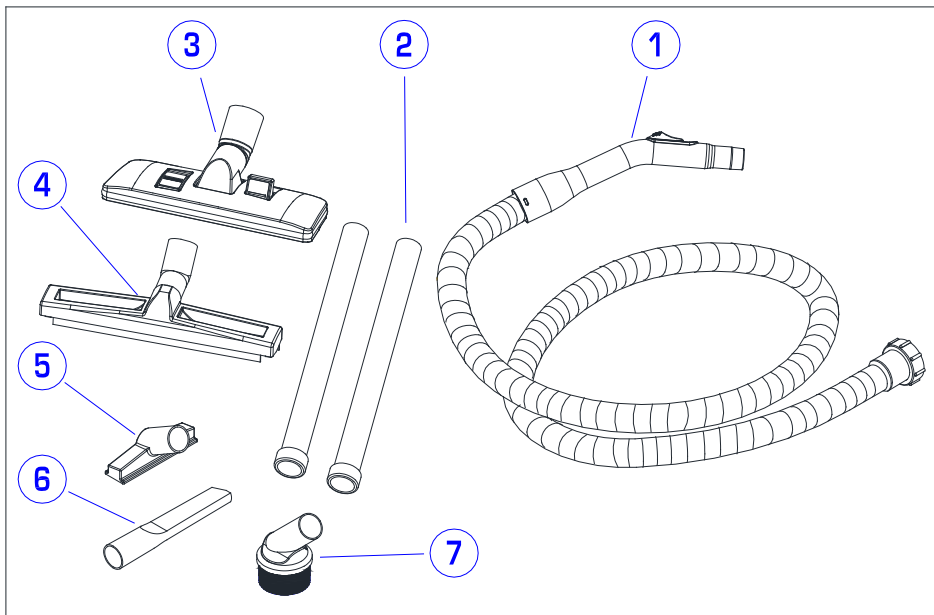




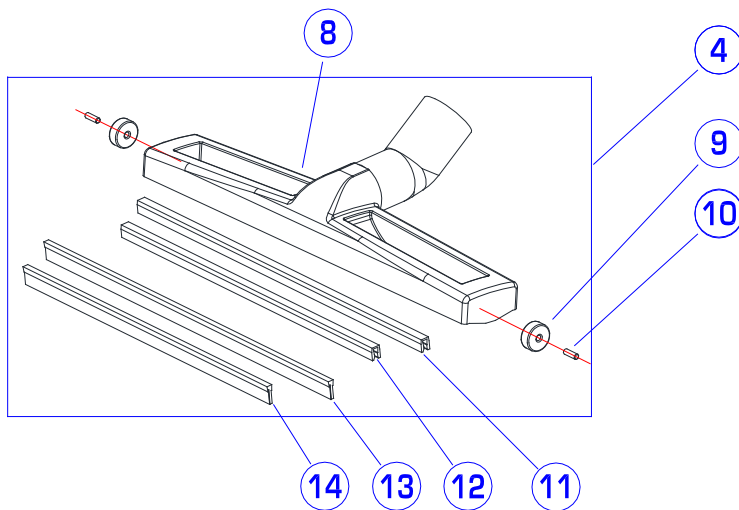
## PARTS LIST

DIA NO	PART NUMBER	DESCRIPTION	NO REQ'D
1	2110117	Handle 手柄	1
2	1311316	Screw, ST4.8 X 16 十字平尾自攻丝 ST4.8X16	16
3	2110103	Housing, Vac Head 机头壳	1
4	2110108	Switch 开关	1
5	1311016	Screw, ST2.9X16 工字盘头自攻丝 ST2.9X16	2
6	2010114	Clamp Block 压线块	1
7	2110102	Mounting Cover, Motor 电机罩	1
8	2110109	Gasket, Motor 密封垫	1
9	2110105	Top Gasket, Motor 减震垫 (上)	1
10	2110115	Vac Motor, 220V 吸力泵, 220V	1
11	2010103	Bottom Gasket, Motor 减震垫	1
12	2110101	Mounting Base, Motor 电机底座	1
13	2110107	Gasket, Mounting Base 密封垫	1
14	2110113	Float Ball 浮球	1
15	2010121	Logo 标牌	1
16	2030409	Warning Decal 警告贴纸	1
17	2130404	Serial Decal 贴纸	1
18	2010124	Power Cord 电源线	1
19	2120211	Catch, Right 右搭扣	1
20	1662512	Rivet, $\phi 4.8 \times 12$ 铝拉钉, $\phi 4.8 \times 12$	4
21	1421510	Washer, Plain, $\phi 5.3 \times \phi 10 \times 1$ 不锈钢平垫片 $\phi 5.3 \times \phi 10 \times 1$	4
22	2020203	Intake 吸管座	1
23	2120204	Gasket, Intake 密封垫	1
24	2020210	Caster, $\phi 50$ 脚轮, $\phi 50$	2
25	2020205	Mounting, Base 底座	1
26	2110116	Screen, Filter 滤网	1
27	2110112	Cage, Float 浮球架	1
28	2120101	Filter Frame 尘隔架	1
29	2120102	Filter 尘隔	1
30	2120201	Tank 桶身	1
31	1311220	Screw, ST4.2 X 20 十字平尾自攻丝 ST4.2 X 20	4
32	1421409	Washer, Plain, $\phi 4.3 \times \phi 9 \times 0.8$ 不锈钢平垫片 $\phi 4.3 \times \phi 9 \times 0.8$	4
33	2120205	Catch, Left 左搭扣	1
34	2020207	Axle 后轮轴	1
35	1311340	Screw, ST4.8 X 40 十字平尾自攻丝 ST4.8 X 40	2
36	2020209	Wheel 后大轮	2
37	2020211	Washer, Plain, $\phi 19.3 \times \phi 37 \times 2$ 不锈钢平垫片 $\phi 19.3 \times \phi 37 \times 2$	2
38	1436019	Circlip, $\phi 19$ 轴用挡圈, $\phi 19$	2
39	2020208	Cover, Wheel 轮盖	2

ACCESSORIES



2130100





**PARTS LIST**

<b>DIA NO</b>	<b>PART NUMBER</b>	<b>DESCRIPTION</b>	<b>NO REQ'D</b>
1	2030300	Hose, Vacuum Assy, $\Phi$ 35 吸管总成	1
2	2030107	Tube, Sst 吸力长管	2
3	2030200	Combination Tool 综合耙总成	1
4	2130100	Wet Pick-Up Tool 300mm 吸水耙总成 ,300mm	1
5	2030101	Upholstery Tool 家具耙	1
6	2030106	Crevice Tool 长耙	1
7	2030104	Dusting Tool 尘扫	1
8	2130101	Body, Pick-Up Tool 300mm 300mm 耙体 , 黑色	1
9	2130101	Wheel, Assy 耙头小轮总成	2
10	2130101	Axle, Wheel 滚轮芯轴	2
11	2130102	Seat, Rubber Blades, Back 耙头后刮座	1
12	2130103	Seat, Rubber Blades, Front 耙头前刮座	1
13	2130104	Rubber Blade, Back 吸水后胶条	1
14	2130105	Rubber Blade, Front 吸水前胶条	1

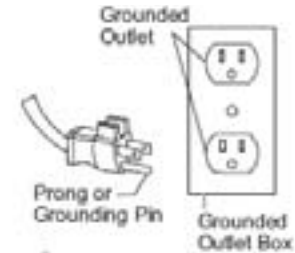
## SAFETY PRECAUTION



Carefully read and understand this manual before operating this machine.  
This machine must be grounded!

This machine shall be grounded while in use to protect the operator from electric shock. Grounding provides a path of least resistance for electric current. This machine is equipped with a cord having an equipment-grounding conductor and grounding plug. The plug must be plugged into an appropriate outlet that is properly installed and grounded in accordance with all local codes and ordinances. Do not remove the ground pin under any circumstances.

This machine is for use on a nominal 220-volt circuit and has a grounding plug that resembles the plug illustrated in Figure. Make sure that the machine is connected to an outlet having the same configuration as the plug. No adapter should be used with this machine.



This machine is intended for commercial use. It is constructed for use in an indoor environment and is not intended for any other use. Use only recommended accessories.

### 1. Do not operate machine:

- Unless trained and authorized.
- In flammable or explosive areas.
- With a damaged cord or plug
- If not in proper operating condition.
- Unless you have read and understand the operators manual.
- With the use of extension cords.
- In outdoor areas and standing water.

### 2. Before operating machine:

- Make sure all safety devices are in place and operating properly.

### 3. When using machine:

- Do not run machine over cord.
- Do not pull cord around sharp edges or corners.
- Do not handle plug with wet hands.
- Report machine damage or faulty operation immediately.
- Do not pull machine by cord or plug.
- Do not unplug by pulling on the cord.
- Do not stretch cord.
- Keep cord away from heated surfaces.

### 4. Before leaving or servicing machine:

- Turn off machine.
- Unplug cord from outlet.

### 5. When servicing machine:

- Unplug cord from outlet.
- Use manufacturer supplied or approved replacement parts.



To avoid electrical shock, please replace the power cord immediately if any damage is being detected. The replacement must be performed only by an authorized person or by our customer service center.

## Operation of Wet & Dry Vacuum

 **Read operators manual thoroughly prior to operating or servicing this machine.**

### Dry Operation

The use of a cloth filter bag and a dust bag will improve levels of filtration and is recommended. Always ensure that the container is emptied of any liquid before using for dry pick-up and that the cloth filter is in a clean and dry condition.

Empty the tank when you notice that the performance is reducing. Switch off the machine and remove the power head. Shake the filter in order to remove debris. This should be done while the hose is still connected to avoid dust exiting from the open dirt container connection. After shaking the filter, wait a few moments for the dust to settle. Remove filter from machine and empty container. If the filter's surface appears to be heavily soiled, it is advisable to brush the filter material clean with an ordinary soft household brush. This ensures continued peak performance. Having emptied container, replace filter and power head. You are now ready to start again.

### Wet Operation

The float valve assembly must be used at all times for wet pick-up. Always ensure that the container is emptied of any dry dust before using the machine for wet pick-up.

Always be sure to use a wet pick-up nozzle with rubber blades.

During wet pick-up operation the floor is left almost entirely dry.

When there is no longer liquid to be collected or the machine is full, switch off the power head. Remove the power head and float valve assembly.

Empty the liquid from the container. Replace the float valve assembly and power head.

You are now ready to start work.

## MAINTENANCE

To keep the machine performing well for many years, please follow the following maintenance procedures.



**Always confirm that the machine is unplugged prior to performing any maintenance or repairs.**

- 1) Unplug machine as soon as you are done using it.
- 2) Check power cord for any damage. If any damage is detected, replace the cord immediately.
- 3) Lubricate casters with a water resistant lubricant every month
- 4) Check machine for loose or missing nuts and bolts, and replace as necessary.
- 5) Check the filter, and clean it after each use
- 6) Remove the vacuum hose and check it for any holes and clogs
- 7) Clean the outside of the machine with a mild cleaner

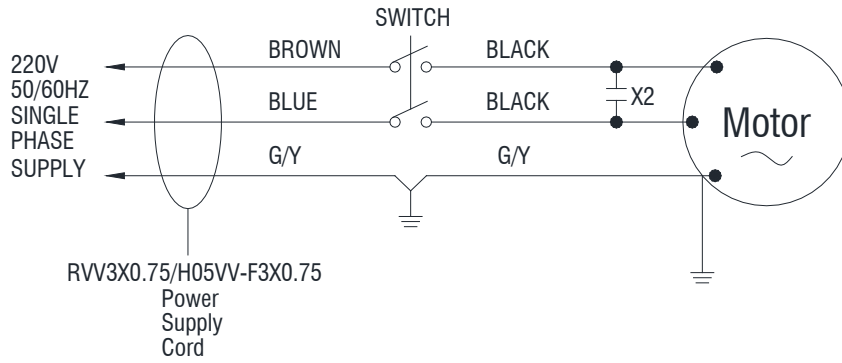
## STORAGE

- 1) Unplug machine from power source and wrap cord on handle.
- 2) Attach the combination tool to the holder .
- 3) Store in upright position in a dry area.

TECHNICAL DATA	
Model	IW35
Voltage	220V-240V
Power	1000W
Current	4.5 A
Frequency	50-60Hz
Capacitor	35L
Vacuum	2600mmH <sub>2</sub> O(102")
Flow rate	2940L/Min(103CFM)
Sound pressure level at workstation	65 dB(A)
Weight	13kg
Length of Power cord	10m
Dimensions	45.2cm(L)X43.4cm(W)X68.8cm(H)

# Wiring Diagram

## IW35



## WEAR &amp; TEAR PARTS

DIA NO	PART NUMBER	DESCRIPTION	NO REQ'D
1	2020210	Caster, $\phi$ 50 脚轮, $\phi$ 50	2
2	2020209	Wheel 后大轮	2
3	2030200	Combination Tool 综合耙	1
4	2130104	Rubber Blade, Back 吸水后胶条	1
5	2130105	Rubber Blade, Front 吸水前胶条	1
6	2030101	Upholstery Tool 家俱耙	1
7	2030104	Dusting Tool 尘扫	1
8	2030106	Crevice Tool 长耙	1

## 合格证

品名 (ITEM): \_\_\_\_\_

按本产品执行的标准规定检验合格

型号 (MODEL): \_\_\_\_\_

检查员 (QC): \_\_\_\_\_

机身编号 (SN): \_\_\_\_\_

检验日期:

广东国邦清洁设备有限公司

电话 (TEL): (769) 8186 9000 传真 (FAX): (769) 8186 3000